



DAY PUBLIC SCHOOL

MIDNAPORE, WEST BENGAL

(Affiliated to C.B.S.E., New Delhi, Affiliation No. - 2430074, School No. - 56004)

Ref. No. DAV/MDN/2024/191

Date 24/08/2024

NOTICE INVITING QUOTATIONS

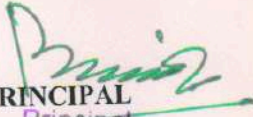
Quotation for "Exterior Fire Water Tank"

Sealed quotations are invited for supply and installation of "Exterior Fire Water Tank" for the school, the sealed quotation should reach by 31.08.2024 (Saturday) by 2.00. P.M.

1. Quotations should be sent under sealed cover marked as : Quotation for supply and installation of "Exterior Fire Water Tank" for the school through Speed Post / Registered Post / Courier. The details of specification are attached herewith.
2. The quotations shall be submitted according to the terms and conditions specified in paragraph 3 to 7. Unless specified otherwise in the quotations, it shall be construed that the terms and conditions stipulated hereunder have been agreed to.
3. There should not be any overwriting or corrections in the quotation. If a figure is to be amended, it should be neatly scored out, the revised figure written above and the same attested with full signature and date. In the absence of such attestation the quotation is liable to be rejected.
4. The undersigned does not bind himself/herself to accept the lowest quotation and reserves the right to accept the quotation in whole or in part.
5. On acceptance of the quotation it will become an agreement and the supplier shall be bound by the terms and conditions of the quotation.
6. The rates quoted by the supplier shall be valid upto 30 days.
7. Quotations which do not comply with the above conditions are liable to be rejected.

Place : Midnapore

Date : 24/08/2024


PRINCIPAL
Principal
DAV Public School
Midnapore

MANAGED BY - DAV COLLEGE MANAGING COMMITTEE, CHITRA GUPTA ROAD, DELHI

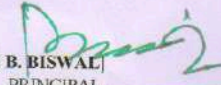
Daak Bunglow Road, P.O. - Midnapore, Dist. - Paschim Medinipur, 721101, W.B.

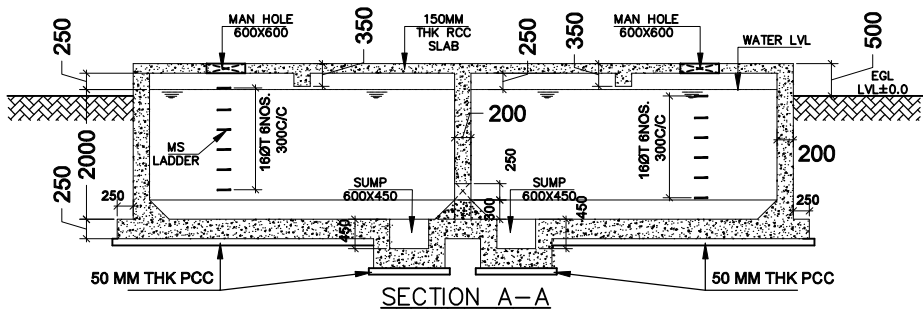
Phone No. : 03222-263712 (T & F), Email. : dav_midnapur@rediffmail.com, Website : www.davmidnapore.org

DAV PUBLIC SCHOOL, MIDNAPORE

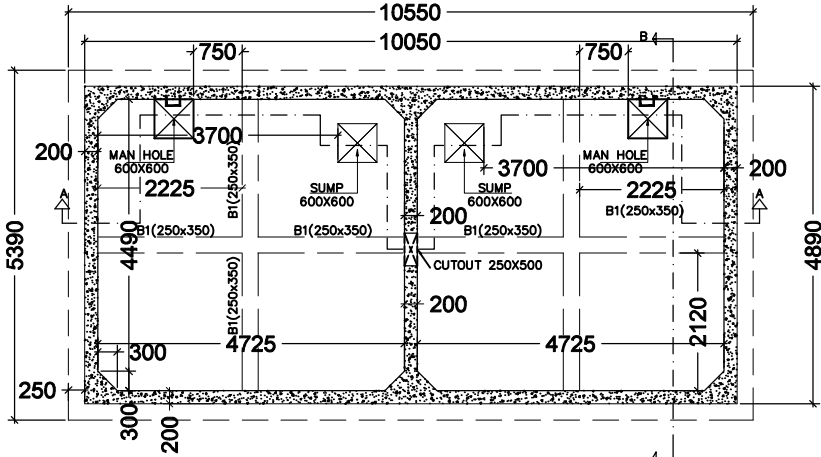
Inviting quotation for exterior fire water tank

| SL. NO. | DESCRIPTION OF ITEM | UNIT | QNTY | AMOUNT (Rs.) |
|---------|--|------|--------|--------------|
| 1 | Earth work in excavation of foundation trenches or drains, in all sorts of soil (including mixed soil but excluding laterite or sandstone) including removing, spreading or stacking the spoils within a lead of 75 m. as directed. The item includes necessary trimming the sides of trenches, levelling, dressing and ramming the bottom, bailing out water as required complete. | cu.m | 175.00 | |
| 2 | Earth work in filling in foundation trenches or plinth with good earth, in layers not exceeding 150 mm. including watering and ramming etc. layer by layer complete. (Payment to be made on the basis of measurement of finished quantity of work) | | | |
| | With earth obtained from excavation of foundation. | cum | 55.00 | |
| 3 | Ordinary Cement concrete (mix 1:2:4) with graded stone chips (20mm nominal size) excluding shuttering and reinforcement, if any, in ground floor as per relevant IS codes. (M-15) Grade | CUM | 3.50 | |
| 4 | Controlled Cement concrete with well graded stone chips (20 mm nominal size) excluding shuttering and reinforcement with complete design of concrete as per IS : 456 and relevant special publications, submission of job mix formula after preliminary mix design after testing of concrete cubes as per direction of Engineer-in charge. Consumption of cement will not be less than 300 Kg of cement with Super plasticiser per cubic meter of controlled concrete but actual consumption will be determined on the basis of preliminary test and job mix formula. In ground floor and foundation. [using concrete mixture] M 20 Grade (approved design mixed is to be certified before concrete work) | | | |
| | Pakur Variety | cum | 42.00 | |
| 5 | Reinforcement for reinforced concrete work in all sorts of structures including distribution bars, stirrups, binders etc initial straightening and removal of loose rust (if necessary), cutting to requisite length, hooking and bending to correct shape, placing in proper position and binding with 16 gauge black annealed wire at every intersection, complete as per drawing and direction. | | | |
| | Tor steel | | | |
| | SAIL/ TATA/RINL | Mt | 5.10 | |
| 6 | Hire and labour charges for shuttering with centering and necessary staging upto specific height using approved stout props and thick hard wood planks of approved thickness with required bracing for concrete slabs, beams and columns, lintels curved or straight including fitting, fixing and striking out after completion of works. (9 to 12 mm thick approved quality ply board shuttering in any concrete work) | SQM | 228.00 | |
| | Plaster (to wall, floor, ceiling etc.) with sand and cement mortar including rounding off or chamfering corners as directed and raking out joints including throating, nosing and drip course, scaffolding/staging where necessary. [Excluding cost of chipping over concrete surface] | | | |
| 7 | With 1:6 cement mortar ; 15 mm thick plaster | SQM | 106.00 | |
| 8 | Neat cement punning about 1.5mm thick in wall, dado, floor etc. NOTE:Cement 0.152 cu.m per100 sq.m. | SQM | 106.00 | |
| 9 | Providing & fixing 600 dia manhole cover. | NOS. | 2.00 | |
| 10 | M.S. structural works in columns, beams etc. with simple rolled structural members (e.g. joists, angle, channel sections conforming to IS: 226, IS: 808 & SP (6)- 1964 connected to one another with bracket, gussets, cleats as per design, direction of Engineerincharge complete including cutting to requisite shape and length, fabrication with necessary bolting, metal arc welding conforming to IS: 816- 1969 & IS: 1995 using electrodes of approved make and brand conforming to IS:814- 2004, haulage, hoisting and erection all complete. The rate includes the cost of rolled steel section, consumables such as electrodes, gas and hire charge of all tools and plants and labour required for the work including all incidental chages such as electricity charges, labour insurance charges etc. | MT | 0.100 | |
| | GROSS AMOUNT | | | |
| | ADD 18 % GST | | | |
| | NET AMOUNT | | | |

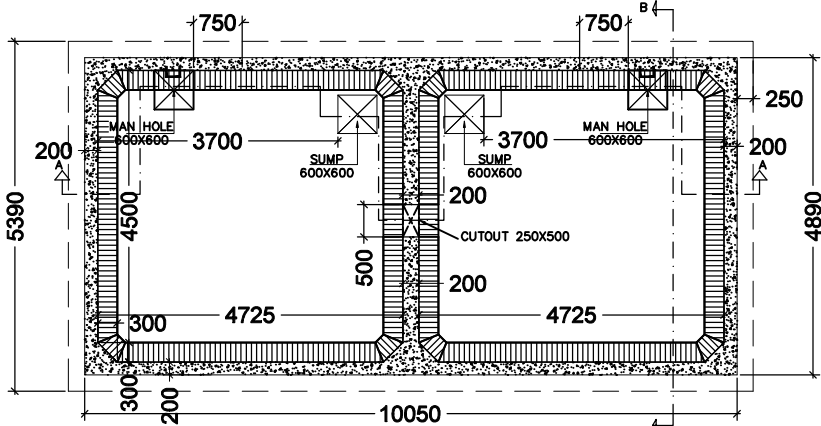

[B. BISWAL]
 PRINCIPAL
 Principal
 DAV Public School
 Midnapore



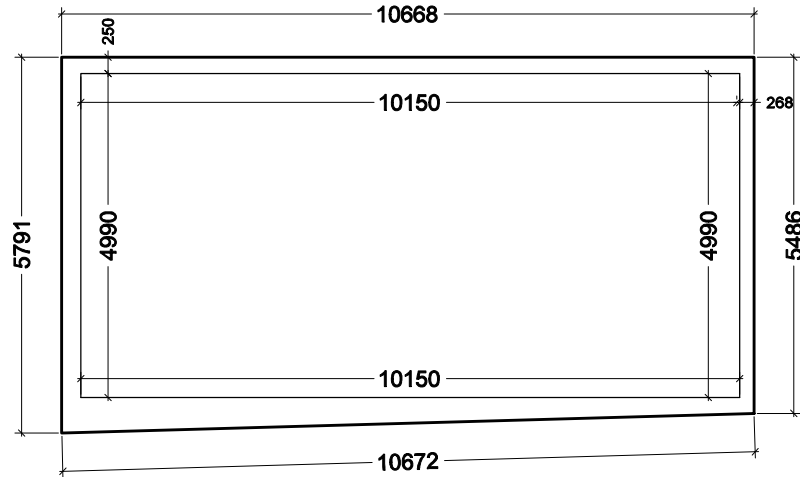
SECTION A-A



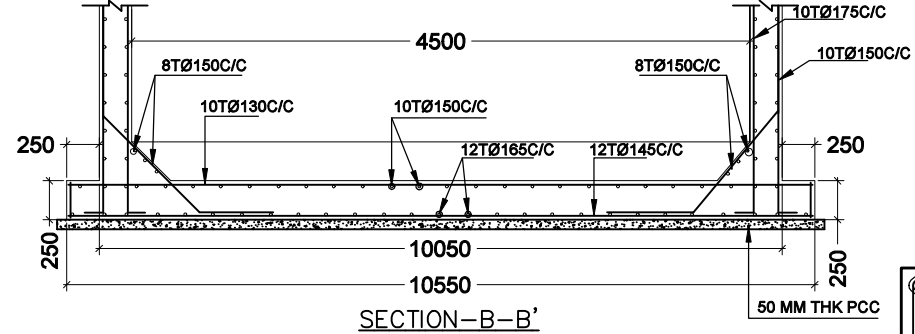
UGR (FIRE WATER TANK) PLAN
TOP LEVEL PLAN
97.5KL
CAPACITY



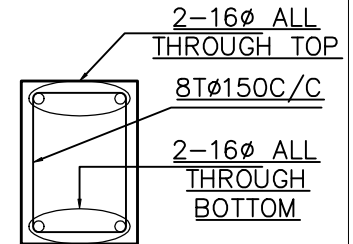
UGR (FIRE WATER TANK) PLAN
BASE LEVEL PLAN
97.5KL
CAPACITY



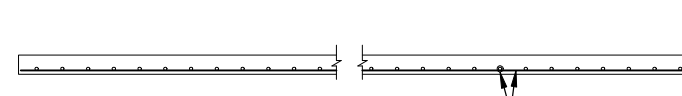
SITE FOR UGR (FIRE WATER TANK) PLAN



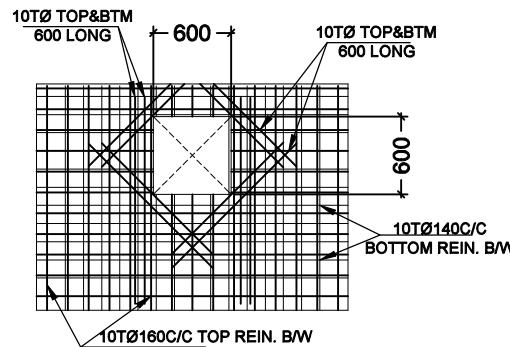
SECTION-B-B'



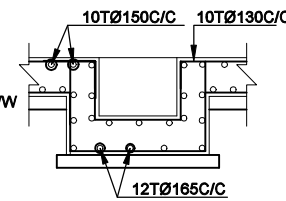
B1(250x350)



SECTION OF TOP SLAB



REINFORCEMENT FOR MAN HOLE AREA



SUMP DETAILS

DRAWING : UGR FIRE WATER TANK

PROJECT:-
DAV EXT. FIRE WATER
TANK

DRAWN BY : A.D.

CHKD. BY : B.J.

APPR. BY : B.J.

DATE: 23.08.2024

FILE NAME : 2324_105H

DRAWING NO:
2324_105H_ADPL_W,D_R0

ARCREATION DESIGN PRIVATE LIMITED

HALDIA OFFICE :
DIBRUG, CITY CENTRE, HALDIA,
PURBA MEDINIPUR - 721007
PH-917000000

KOLKATA OFFICE :
SEL, JINBORS ROAD,
GREEN PARK BLOCK-A,
KOLKATA - 700099
www.arcreation.co.in